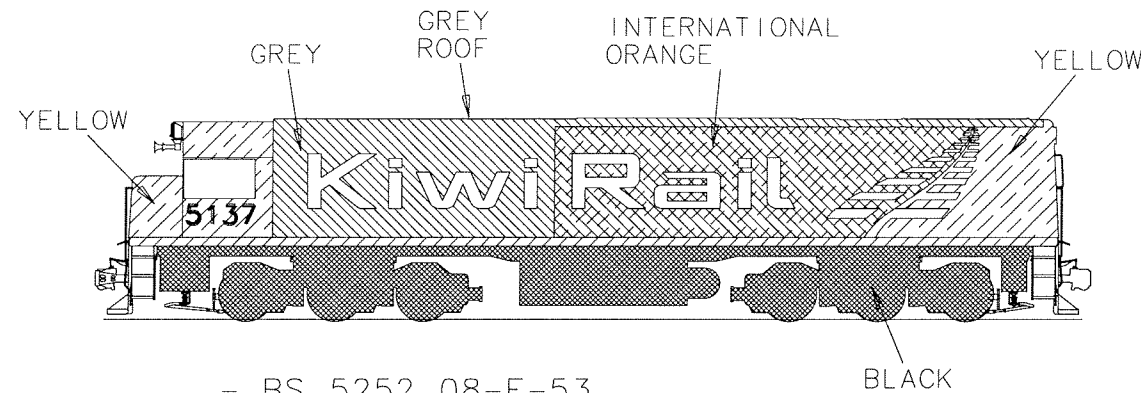


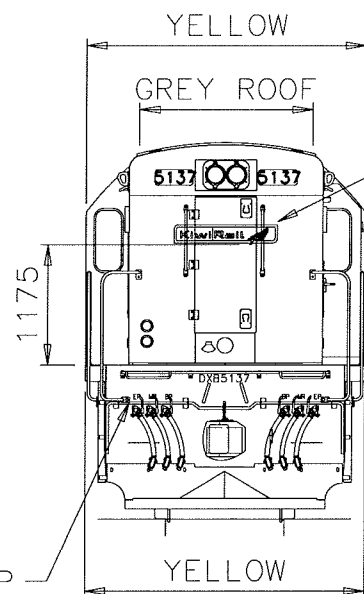
NOTES

1. ALL HANDRAILS TO BE PAINTED WHITE.
2. GRIT TO BE APPLIED TO ALL HANDGRABS, FOOTSTEPS AND HEADSTOCK FOOTPLATE. SEE FMI 140.
3. ALL BRAKE LEVER, COCK AND VALVE HANDLES TO BE PAINTED WHITE.
4. KIWIRAIL LOGO 12220 LONG APPROX. CAPITALS 1000 HIGH DETAILS TO BE SUPPLIED.
5. REFLECTIVE STRIPS ALONG SIDE SILLS 4 PER SIDE. 800 LONG WHITE
6. TEXT FONT OTHER THAN LOGO TO BE FRUTIGER BOLD.
7. FOR HIGH VOLTAGE SIGNAGE SEE DRAWING 15017414



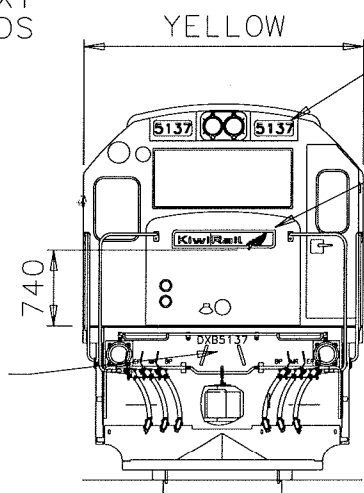
PAINT KEY

YELLOW	- BS 5252 08-E-53
INTERNATIONAL ORANGE	- BS 381C 592
GREY EXTERNAL	- BS 5252 10-A-11
WHITE	- BS 5252 00-E-55
BLACK	- BS 5252 00-E-53



KIWIRAIL
DECAL
1000x195

EP MR BP
BLACK
40mm TEXT
BOTH ENDS



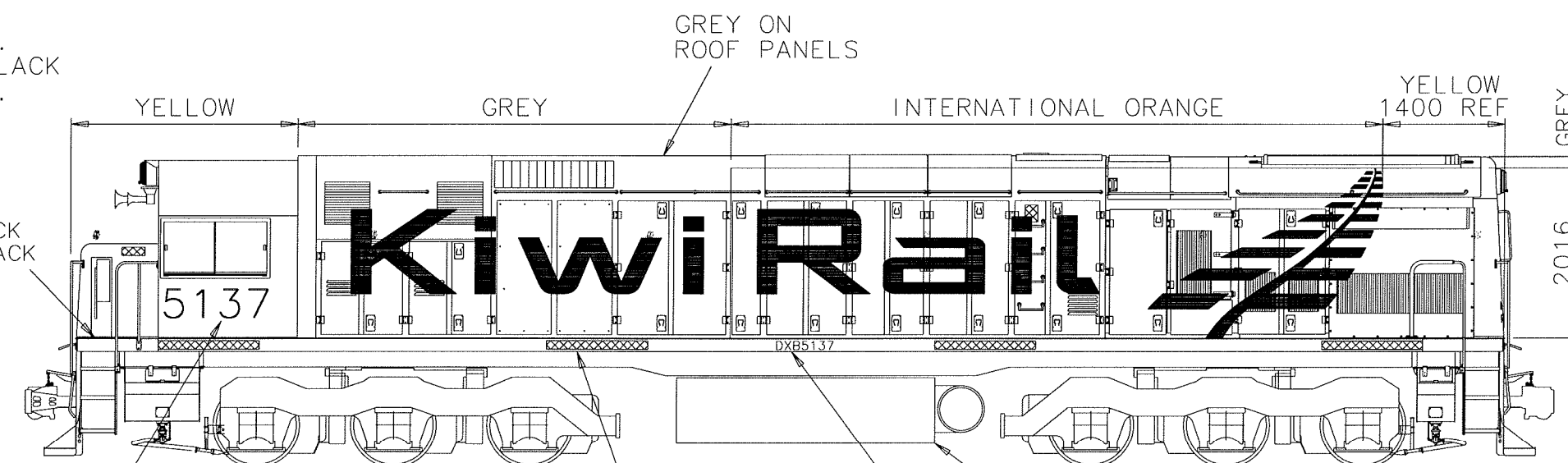
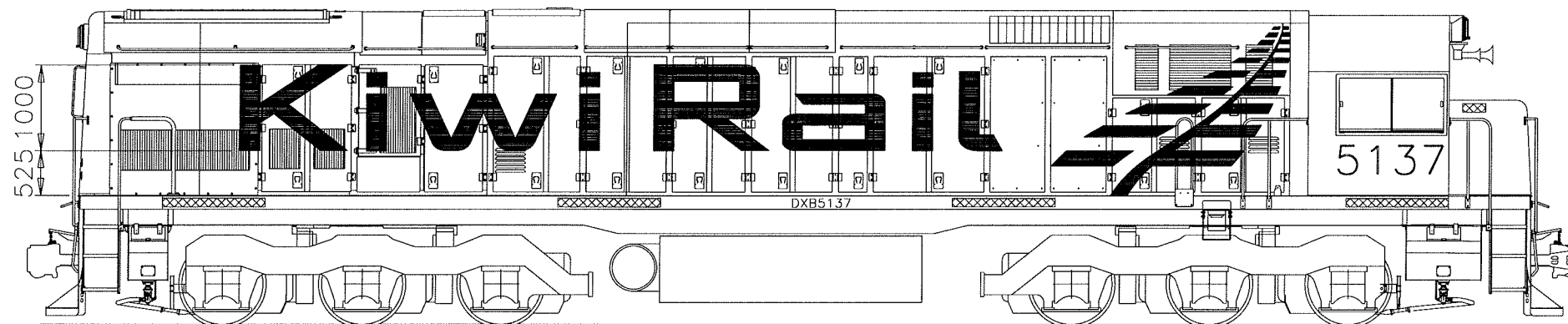
LOCO ID No.
WHITE ON BLACK
100mm HIGH.
BOTH ENDS

LOCO ID No.
BLACK
100mm TEXT
BOTH ENDS

KIWIRAIL
DECAL
1000x195

DECK
BLACK

LOCO ID No.
BLACK
350mm HIGH



GREY ON
ROOF
PANELS

BELOW SIDE SILL TO BE BLACK

SIDE SILL YELLOW
WITH 4 x 3M DIAMOND HIGH
REFLECTIVE STRIPS.

LOCO ID No. BLACK
100mm HIGH, BOTH SIDES

PROTOTYPE DRAWING - NOT FOR PRODUCTION
FOR MANUFACTURE OF PROTOTYPE AND DEVELOPMENT OF A FINAL DESIGN ONLY. DIMENSIONS, WELDS AND MATERIALS ARE PROVISIONAL. CHANGES REQUIRED DURING PROTOTYPING ARE TO BE AGREED BETWEEN PRODUCTION AND DESIGN AUTHORITIES AND THE DRAWING DEVELOPED TO REFLECT THESE. THIS NOTE WILL BE REMOVED ONCE FINAL DESIGN IS APPROVED FOR PRODUCTION.

REV	DATE	ECN REF	REVISION	BY	APPD

DEFAULT TOLERANCES - GENERAL	
Dimensions up to and including 20mm	D + 10% D - 0
Dimensions between 20mm and 2500mm	D ± 2.0
Dimensions over 2500mm	D ± 4.0
Angular dimensions	MAX 1.0°

DEFAULT TOLERANCES - MACHINED COMPONENTS	
Distance between centres of drilled holes	D ± 0.3
Distance from centre of a drilled hole to machined face	D ± 0.3
Distance over parallel machined faces	D ± 0.3
Diameter of turned components	D ± 0.3
Angular dimensions	MAX 0.5°

WELDING
Symbols to AS 1101.3 - 2005
Unless otherwise specified, all steel welding to NZS 1554.1:2000 or ANSI/AWS D15.1-93

KiwiRail
© KiwiRail Ltd.

DRAWN: *C. Vercoe*
CHECKED: *[Signature]*
APPROVED: *[Signature]*
I-DEAS CAD

SECTION 1
MATERIAL
SIZE
EST. MASS
DIAGRAM DX DXB
THIRD ANGLE PROJECTION

DX KIWIRAIL MK2
PAINTING &
LETTERING DIAGRAM
15024421 A