

CB Wagon

CB2

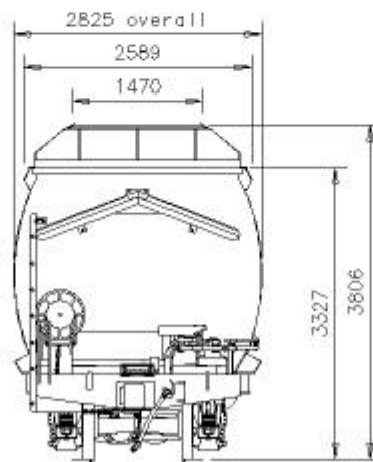
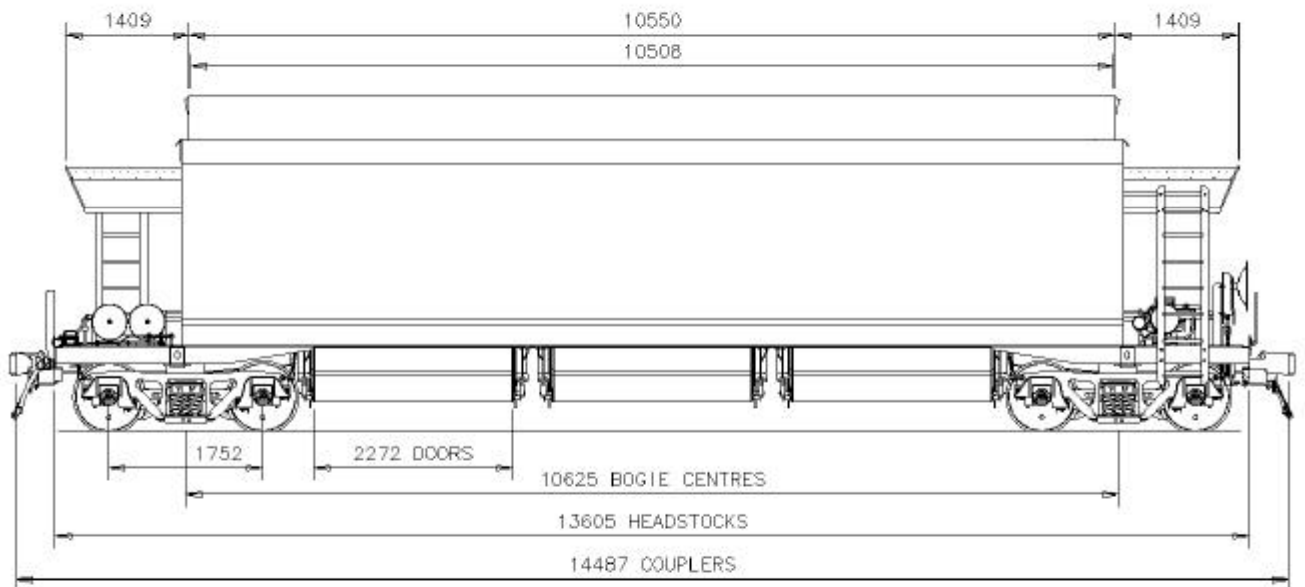
Description

Aluminium hopper wagon - longitudinal bottom discharge doors.

Length over drawgear	14487 mm	Tare	16800 kg
Length over headstocks	13605 mm	Load	55200 kg
Overall width	2830 mm	Gross	72000 kg
Overall height	3806 mm	Volume	67 m ³
Bogie centres	10625 mm		
Deck height	970 mm		

General Information

Products - coal 67 m³ at 0.84 tonnes/m³
 Operation - 3 sets of doors that can be opened / closed individually, manually or automatically.



Technical Data

Diagram	CB2
General arrangement	11051020
Clearance diagram	12050588
Stencilling diagram	12050586
Handbrake arrangement	11050786
Air piping arrangement	11051054 / 1055 / 1056
Bogie arrangement	11050819 - type 18A
Brake block	High friction
Drawbar	Alliance coupler - AL
Triple valve	WF2 ACS
VTA valve	Automatic
Drawgear pack	Cardwell Westinghouse
Brake cylinder	10" Auscopac / Davies & Metcalf
Relay valve	27 / 50 EL
Handbrake type	AAR S-475 (wheel)
Hungry board arrangement	15003050 / 3051

Technical Information

Built Hillside 1989/90 for Westcoast coal traffic.
 Each set of doors are operated by four cylinders with over centre latching cams.
 Hungry boards added by Clemence Engineering in 1997/98.