

CET Wagon

CET1

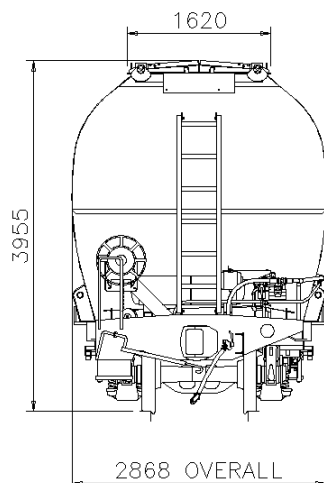
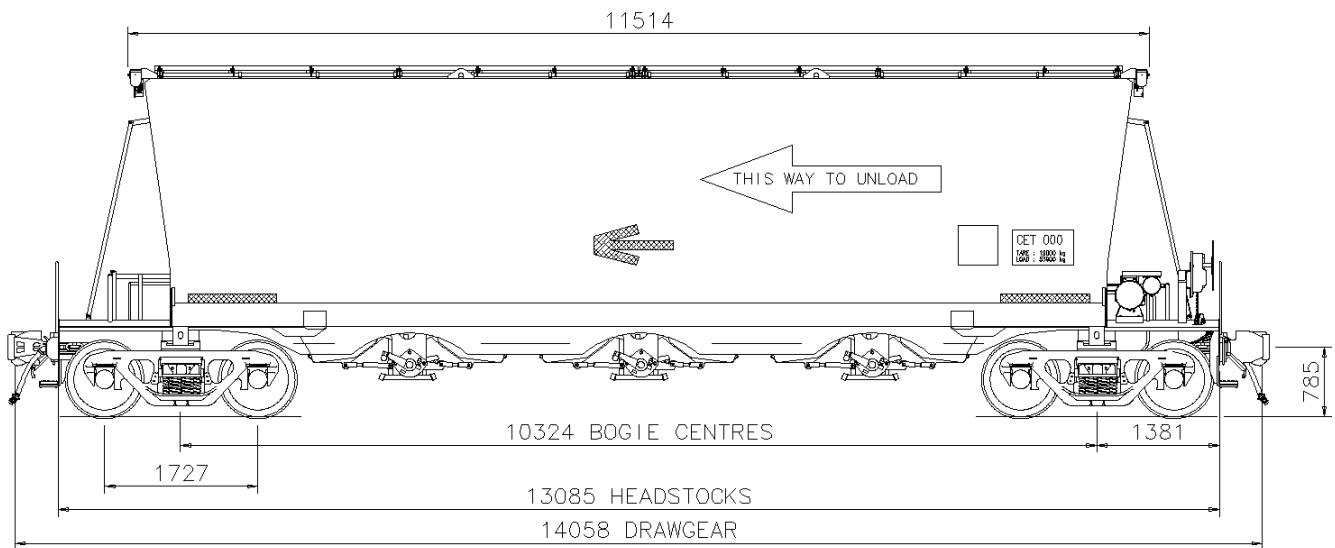
Description

Stainless Steel hopper wagon - transverse bottom discharge doors.
Roof with 4 opening lids.

Length over drawgear	14058 mm	Tare	19000 kg
Length over headstocks	13085 mm	Load	53900 kg
Overall width	2868 mm	Gross	72900 kg
Overall height	3955 mm	Volume	68 m ³
Bogie centres	10324 mm		
Deck height	990 mm		

Products - coal.

Mechanical door operating system that is triggered by track side ramps.
Air operated lids that can be opened / closed from a single ball valve.



Technical Data

Diagram	CET1
General arrangement	15013560
Clearance diagram	15013590
Stencilling diagram	15015473
Handbrake arrangement	15010005
Air piping arrangement	15010007 / 8 / 9
Bogie arrangement	15001555 / 56 - type 22
Brake block	AAR M-926
Drawbar	AAR coupler E60DC or E60DE
Triple valve	WF2 ACX
E/L valve	EL 60
E/L relay valve	
Drawgear pack	AAR M-901E group J
Brake cylinder	9.25"
Slack adjuster	Westinghouse TMX (bogie mounted)
Handbrake type	AAR S-475 (wheel)

Technical Information

33 wagons built at Hillside 2004/2005.
 33 roofs built at Clemence Engineering 2004/2005.
 Track side triggers activate the discharge doors at the unloading site.
 Lids opened / closed by a single ball valve on end platform.

