

CF Wagon

Description

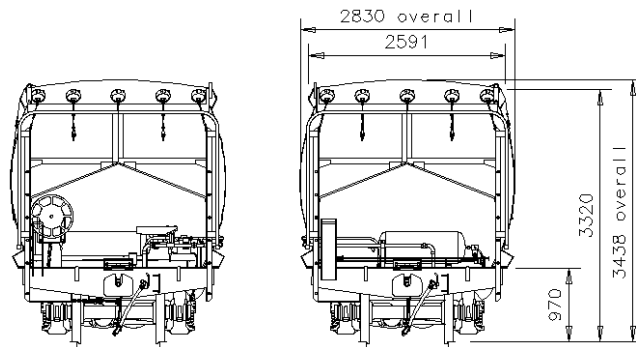
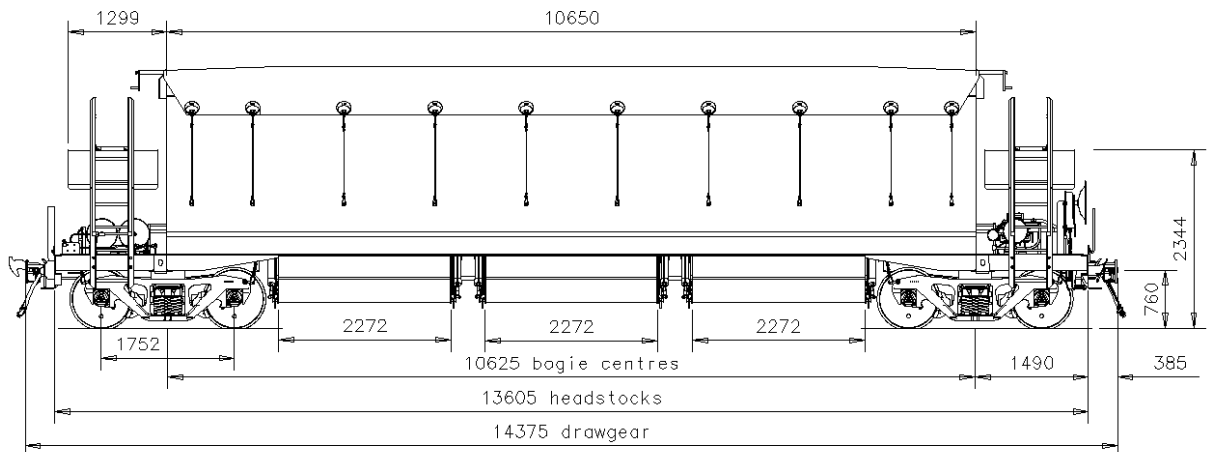
Aluminium hopper wagon - longitudinal bottom discharge doors.

Length over drawgear	14375 mm	Tare	15700 kg
Length over headstocks	13605 mm	Load	56300 kg
Overall width	2830 mm	Gross	72000 kg
Overall height	3438 mm	Volume	59 m ³
Bogie centres	10625 mm		
Deck height	970 mm		

Products - fertiliser 46 m³ at 1.20 tonnes/m³
 - lime 43 m³ at 1.30 tonnes/m³

Operation - 3 sets of doors that can be
 opened/closed individually, manually or automatically.

Weather proofing - hopper covered with "roll tarpaulin".
 - doors and chutes sealed with rubber seals.



Technical Data

Diagram	CF2
General arrangement	11051090
Clearance diagram	12050634
Stencilling diagram	12050633
Handbrake arrangement	11051092
Air piping arrangement	11051093 / 1094 / 1095
Bogie arrangement	11050760 / 761- type 18B
Brake block	Samson or equivalent
Drawbar	11051167 - JL
Triple valve	WF2 ACS
E/L valve	VTA automatic
E/L relay valve	27 / 50 EL
Drawgear pack	AAR M901E
Brake cylinder	10" Auscopac
Handbrake type	AAR S-475 (wheel)
Side bearers	Stucki - type 656 CRL

Technical Information

Built Hillside 1990 / 91 for fertiliser traffic.

All internal surfaces coated with a corrosion / abrasion resistant paint system.

Each set of doors are operated by four cylinders.