

# GBD Container

# GBD1

## Description

Bulk grain container.

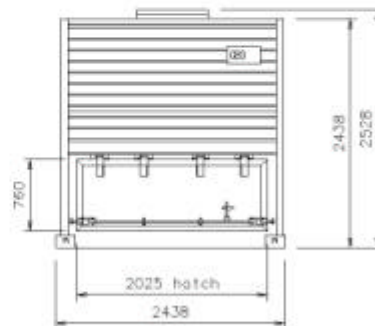
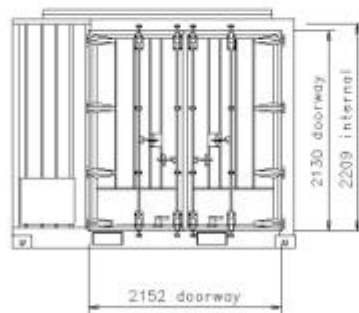
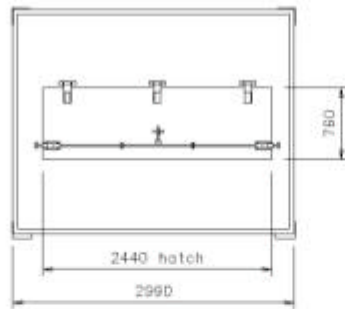
Overall Length	2990 mm
Overall width	2438 mm
Overall height	2528 mm
Internal length	2890 mm
Internal width	2286 mm
Internal height	2209 mm

Tare	1640 kg
Load	12000 kg
Gross	13640 kg
Volume	14.45 m <sup>3</sup>

General 10 foot dry box container

Std ISO corners

Fork pockets 312 x 126 mm



## Technical Data

Diagram	GBD1
General arrangement	X 29778
Clearance diagram	
Stencilling diagram	
Base assembly	X 29779
Roof assembly	X 27780
LHS & rear wall assembly	X 29784
Roof hatch assembly	X 29781
Front wall assembly	X 29782
Trap door assembly	X 29783
RHS & door assembly	X 29785

## Notes

Built by 1st Consolidated in 1978.  
Internal lining - corrugated sheet