

# HLC Container

# HLC5

## Description

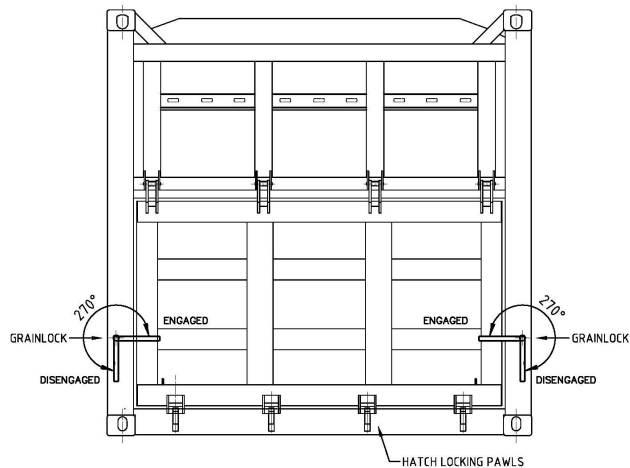
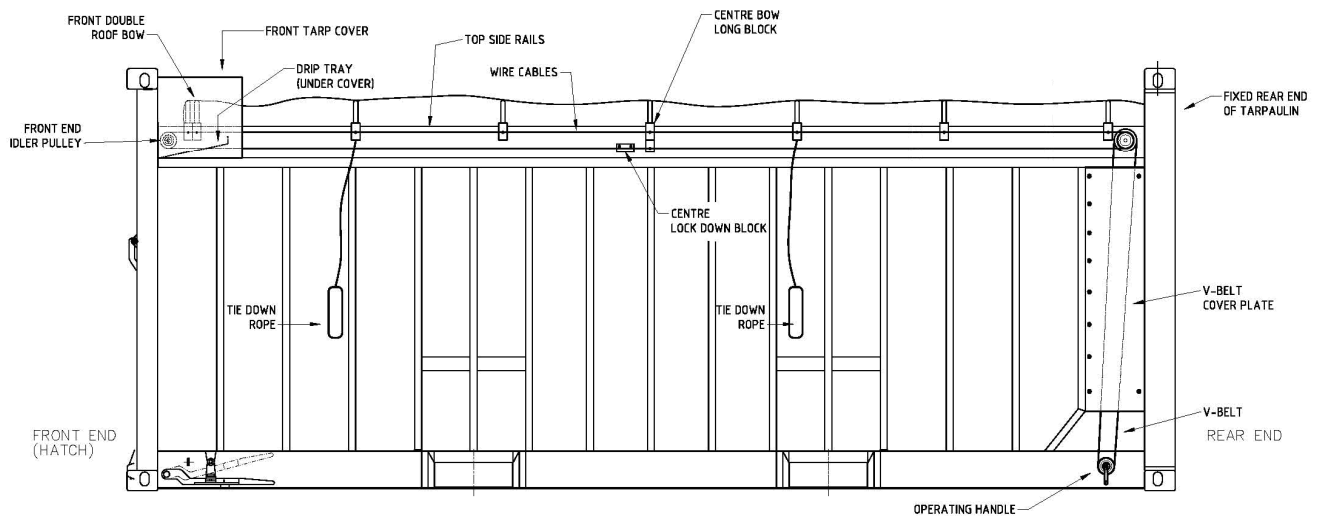
Coal container.

Overall length	6058 mm	Tare	3000 kg
Overall width	2438 mm	Load	20000 kg
Overall height	2438 mm	Gross	23000 kg
Internal length	5829 mm	Volume	24.8 m <sup>3</sup>
Internal width	2292 mm		
Internal height	1855 mm		

Std ISO corners

Fork pockets 360 x 125 mm.

Features ground level operable retracting tarp



## **Technical Data**

Diagram	HLC5
General arrangement	15031209
Clearance diagram	15010252 (same as HLC3)
Stencilling diagram	15031212
Tarpaulin	15031211

## **Notes**

Purchased through Intermodal Solutions Pty Ltd, Australia  
80 Units manufactured at CIMC, Nantong, 2010.