

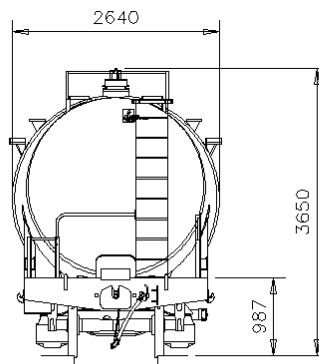
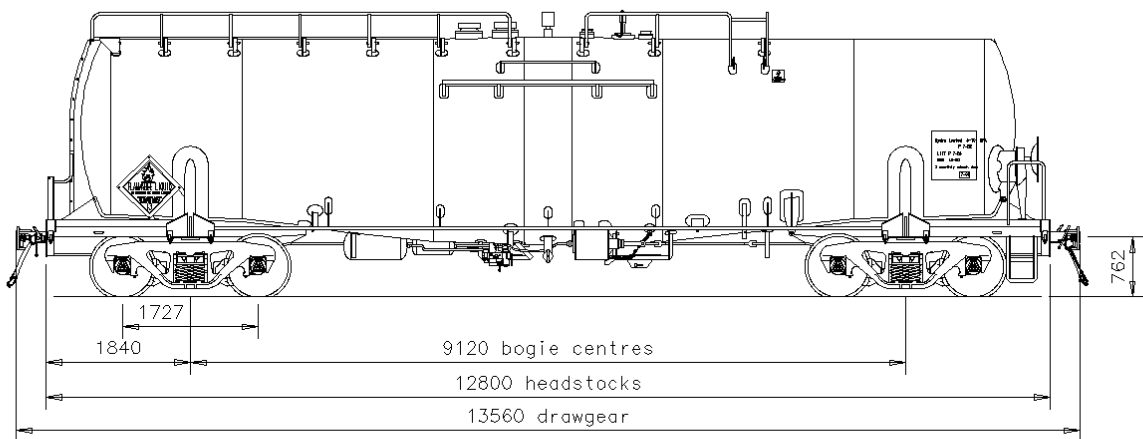
## UCA Wagon

### Description

52000 litre tank wagon.

Length over drawgear	13560 mm	Tare	21505 kg
Length over headstocks	12800 mm	Load	43700 kg
Bogie centres	9120 mm	Gross	65205 kg
Overall width	2640 mm	Volume	52000 litres
Overall height	3650 mm		
Deck height	987 mm		

Products - petroleum products.



**Technical Data**

Diagram	UCA2
General arrangement	X 26250
Clearance diagram	W 32097
Stencilling diagram	13050059
Pneumatic valve arrangement	15001225
Handbrake arrangement	X 26260
Air piping arrangement	X 26277
Bogie arrangement	X 27800 - type 16
Brake block	Samson or equivalent
Drawbar	11050100 - JG
Triple valve	WF2 ACS
E/L valve	VTA automatic
E/L relay valve	27 / 50 EL
Drawgear pack	AAR M901E
Brake cylinder	12" WHB C4799
Slack adjuster	WHB - C21570
Side bearer arrangement	X 29826
Tank arrangement	X 26251
Handbrake type	wheel

**Notes**

All discharging and charging uses a pneumatic valve.  
Built 1975 by Comeng, Australia.